

GasCon Systems

(Australian Standard)

Cylinder Pressure Regulators

(Australian Standard)

Brass-Body



**401
High
Purity**

Single-Stage



**411
High
Purity**

Dual-Stage

**also available SS-Body : Corrosive Gases
CGA(-180,N2) Bottle Thread**

see also Restek CGA Regulators & Accessories

Gascon Systems Single Stage Regulators



The Gascon Systems range of single stage regulators are manufactured from brass bar stock and are recommended for use in non-corrosive gas applications. Versions are available for industrial, laboratory, medical and scientific grade gases.

Wide range of options including; inlet connection orientations, inlet fittings (eg. AS, CGA, BS, DIN, AFNOR), diaphragm materials, outlet pressure ranges, ventable pressure relief valves, internal flow restrictors for pressure charging systems, preset outlet pressure models, different seat configurations for different flow/pressure characteristics, wall mount brackets and panel mount kits.

Specifications:

Max. Inlet Pressure: 20,000 kPa @ 15°C
(31,500 kPa optional)

Outlet Pressures: 0 – 20,000 kPa

Gauges: 50mm diameter brass

Body Ports: ¼” NPT (F)

Weight: 1.4 kg

Materials:

Body: Chrome plated brass bar stock

Bonnet: Chrome plated brass

Seat: PCTFE or PTFE

Filter: 63 micron cupro nickel

Diaphragm: Neoprene; EDPM; PTFE coated neoprene; or 316L stainless steel

- Encapsulated seat assembly with built-in filter
- Bar Stock body
- Maximum outlet pressure adjusting stop
- Colour coded control knobs
- Australian made

Applications:

- For use in non-corrosive gas applications
- Where a slight variation in delivery pressure is acceptable as cylinder contents pressure decreases
- Regulator is used for intermediate short periods of time
- Used with liquefied gas supplies
- Laboratory reticulation system supply regulator.

ORDERING INFORMATION XX - X - X - X - XXXX - XXX - XXX - XXX - XX - XXXX

Model	Ports	Inlet	Pressure Adjustment	Outlet Pressure	Optional Fittings	Inlet Fitting	Outlet Fitting	Options	Gas
R Standard (up to grade 3.5)	2 3	V Vertical S Side	A Adjustable P Preset	Required Outlet Pressure in kPa	G Inlet Gauge GG Inlet & Outlet Gauge P Pressure Relief Valve GGP 2 Gauges & PRV	T10 (AS2473 Type 10) T11 (AS2473 Type 11) T20 (AS2473 Type 20) T30 (AS2473 Type 30) T50 (AS2473 Type 50) T51 (AS2473 Type 51) T60 (AS2473 Type 60) T61 (AS2473 Type 61) 320 (CGA320) 330 (CGA330) 350 (CGA350) 510 (CGA510) 540 (CGA540) 580 (CGA580) Y (Medical Yoke) 4F (1/4" Female NPT)	4F (1/4" Female Port) 2S (1/8" Tube Fitting) 4S (1/4" Tube Fitting) 6S (3/8" Tube Fitting) 8S (1/2" Tube Fitting) 2M (1/8"NPT male) 4M (1/4" NPT male) 6M (3/8" NPT male) 8M (1/2" NPT male) 2B (1/8" hose barb) 4B (1/4" hose barb) 8B (1/2" hose barb) FA (fine adjust valve) 58R (5/8"-18UN RH) 58L (5/8"-18UN LH) SIS (medical sleeve indexed system)	WM Wall Mount Bracket PM Panel Mount Bracket	ACET Acetylene AIR Air AR Argon CO Carbon Monoxide CO2 Carbon Dioxide HE Helium H2 Hydrogen LPG Propane METH Methane N2 Nitrogen N2O Nitrous Oxide OXY Oxygen SF6 Sulfur Hexafluorid OTHERS by Symbol
PR Laboratory (up to grade 4.5)	4 5	R Rear				4F (1/4" Female NPT)	SIS (medical sleeve indexed system)		
HR High Purity (up to grade 5.5)	6								
MR Medical						Others by Description	Others by Description		

Ordering examples

HR-5-V-A-1000-GGP-T20-4S-H2

Scientific hydrogen single stage regulator, vertical Type 20 inlet, adjustable to 1000 kPa, inlet and outlet gauges, pressure relief valve and ¼” brass tube outlet fitting

MR-4-S-P-400-GP-Y-SIS-AIR

Medical air single stage regulator, side pin indexed yoke inlet, preset 400 kPa, inlet gauge, pressure relief valve and a sleeved indexed outlet fitting

GASCONI
SYSTEMS

HROMalytic +61(0)3 9762 2034
ECHnology Pty Ltd

Australian Distributors
Importers & Manufacturers
www.chromtech.net.au

11/12

GC Systems Dual Stage Regulators



- Encapsulated seat assembly with built-in filter
- Bar Stock body
- Maximum outlet pressure adjusting stop
- Australian made

Applications:

- For use in non-corrosive gas applications
- Where a constant delivery pressure is required as cylinder contents pressure decreases
- Regulator is used for continuous long periods of time
- Laboratory reticulation system supply regulator

The GC Systems range of dual stage regulators are manufactured from brass bar stock and are recommended for use in non-corrosive gas applications. Versions are available for industrial, laboratory, medical and scientific grade gases.

Wide range of options including; inlet connection orientations, inlet fittings (eg. AS, CGA, BS, DIN, AFNOR), diaphragm materials, outlet pressure ranges, ventable pressure relief valves, preset outlet pressure models, different seat configurations for different flow/pressure characteristics, and panel mount kits.

Specifications:

Max. Inlet Pressure: 20,000 kPa @ 15°C
(31,500 kPa optional)

Outlet Pressures: 0 – 5,000 kPa

Gauges: 50mm diameter brass

Body Ports: 1/4" NPT (F)

Weight: 2.1 kg

Materials:

Body: Chrome plated brass bar stock

Bonnet: Chrome plated brass

Seat: PCTFE or PTFE

Filter: 63 micron cupro nickel

Diaphragm: Neoprene; EDPM; PTFE coated neoprene; or 316L stainless steel

ORDERING INFORMATION XX - X - X - X - XXXX - XXX - XXX - XXX -XXX - XXXX

Model	Ports	Inlet	Pressure Adjustment	Outlet Pressure	Optional Fittings	Inlet Fitting	Outlet Fitting	Options	Gas
D Standard (up to grade 3.5)	2	V Vertical	A Adjustable	Required	G Inlet Gauge	T10 (AS2473 Type 10)	4F (1/4" Female Port)	PM Panel Mount Bracket	ACET Acetylene
PD Laboratory (up to grade 4.5)	3	S Side	P Preset	Outlet Pressure in kPa	GG Inlet & Outlet Gauge	T11 (AS2473 Type 11)	2S (1/8" Tube Fitting)		AIR Air
HD High Purity (up to grade 5.5)	4				P Pressure Relief Valve	T20 (AS2473 Type 20)	4S (1/4" Tube Fitting)		AR Argon
MD Medical	5				GGP 2 Gauges & PRV	T30 (AS2473 Type 30)	6S (3/8" Tube Fitting)		CO Carbon Monoxide
	6				GGPP 2 Gauges & 2 PRV's	T50 (AS2473 Type 50)	8S (1/2" Tube Fitting)		CO2 Carbon Dioxide
						T51 (AS2473 Type 51)	2M (1/8"NPT male)		HE Helium
						T60 (AS2473 Type 60)	4M (1/4" NPT male)		H2 Hydrogen
						T61 (AS2473 Type 61)	6M (3/8" NPT male)		LPG Propane
						320 (CGA320)	8M (1/2" NPT male)		METH Methane
						330 (CGA330)	2B (1/8" hose barb)		N2 Nitrogen
						350 (CGA350)	4B (1/4" hose barb)	N2O Nitrous Oxide	
						510 (CGA510)	8B (1/2" hose barb)	OXY Oxygen	
						540 (CGA540)	FA (fine adjust valve)	SF6 Sulfur Hexafluorid	
						580 (CGA580)	58R (5/8"-18UN RH)	OTHERS by Symbol	
						Y (Medical Yoke)	58L (5/8"-18UN LH)		
						4F (1/4" Female NPT)	SIS (medical sleeve indexed system)		
						Others by Description	Others by Description		

Ordering examples

HD-5-V-A-700-GGP-T10-4ST-OXY Scientific oxygen dual stage regulator, vertical Type 10 inlet, adjustable to 700 kPa, inlet and outlet gauges, pressure relief valve and 1/4" stainless steel tube outlet fitting

PD-5-S-A-100-GP-Y-4B-CO2 Medical carbon dioxide dual stage regulator, side pin indexed yoke inlet, adjustable to 100 kPa, inlet and outlet gauges, pressure relief valve and a 1/4" hose barb outlet

401 Series Single Stage Brass Bodied Scientific Regulator



- Pressure ranges of 0-15 to 0-500 PSI are available to cater for a broad range of applications
- Brass barstock body means a smoother surface finish
- Versatility of configuring the regulator with either front or rear panel mounting
- Metal-to-metal diaphragm seal prevents gas contamination
- Capsule seat design for greater serviceability and life
- 316L stainless steel diaphragm
- Leak test certificate

Specifications:

Max. Inlet Pressure: 3000 PSI (210 BAR)
4500 PSI (310 BAR) Option

Gauges: 2" diameter brass, (chrome plated)

Temperature Range: -40° C to 60° C

Body Ports: 1/4" FPT

Helium Leak Integrity: 1 x 10⁻⁹ scc/sec

Cv: 0.1

Weight: 1.8 kg

Materials:

Body: Brass bar stock

Bonnet: Chrome plated brass

Seat: PTFE
PCTFE with 4500 PSI inlet option

Filter: 10 micron sintered bronze

Diaphragm: 316L stainless steel

Internal Seals: PTFE

The 401 Series regulators are intended for primary pressure control of non-corrosive, high purity or liquefied gases, or where minor fluctuations in outlet pressure (as gas supply diminishes) can be tolerated.

ORDERING INFORMATION

S401 - XXX - XXX - XXX - XX

Series	Outlet Pressure	Inlet Fitting	Outlet Fitting	Options
401	15 (0-15 psi)	T10 (AS2473 Type 10)	4F (1/4" NPT Female)	Inlet Purge
	50 (0-50 psi)	T20 (AS2473 Type 20)	2S (1/8" Tube)	Captured Bonnet Vent
	100 (0-100 psi)	T30 (AS2473 Type 30)	4S (1/4" Tube)	Panel Mount Kit
	150 (0-150 psi)	T50 (AS2473 Type 50)	8S (1/2" Tube)	Wall Mount Bracket
	250 (0-250 psi)	T60 (AS2473 Type 60)	2B (1/8" Hose Barb)	
	500 (0-500 psi)	350 (CGA350)	4B (1/4" Hose Barb)	
		540 (CGA540)	FA (Fine adjust valve)	
		580 (CGA580)	4M (1/4" NPT Male)	
		4F		
		0116		

www.chromtech.net.au E-mail: info@chromtech.net.au Tel No: 08 9762 2034 . . . in AUSTRALIA

401 Series Regulator

Single Stage
Brass Barstock Body
Six-Port
Configuration
316L Stainless Steel
Diaphragm



401-1331 shown

The 401 Series regulators are intended for primary pressure control of noncorrosive, high purity or liquefied gases, or for applications where minor fluctuations in outlet pressure due to diminishing inlet supply can be tolerated.

Typical Applications

- Gas and liquid chromatography
- High purity carrier gases
- Zero, span and calibration gases
- High purity chamber pressurization
- Liquefied hydrocarbon gas control
- Control of cryogenic gases

Advanced Features

- Brass barstock body
Smooth surface finish
- Front and rear panel mountable
Versatile system configuration
- Pressure ranges 0-15 to 0-500 PSIG
Broad range of applications

400 Advantage

- *Metal-to-metal diaphragm seal*
No possibility of gas contamination
- *Capsule® seat*
Increased serviceability and life
- *316L stainless steel diaphragm*
No inboard diffusion
- *Orientable captured vent capable*
Safety in any installation
- *Low wetted surface area*
Minimal purge requirements
- *Field-adjustable pressure limit*
Safeguard downstream equipment
- *Pipe away relief valve*
Safely vent exhaust gases
- *Delivery pressure range easily changed*
Maximum flexibility

Materials

Body
Brass barstock

Bonnet
Chrome Plated barstock

Seat
PTFE
PCTFE with 4500 PSIG inlet option

Filter
10 micron sintered bronze

Diaphragm
316L stainless steel

Internal Seals
PTFE

Specifications

Maximum Inlet Pressure
3000 PSIG (210 BAR)
4500 PSIG (310 BAR) optional

Temperature Range
-40°F to 140°F (-40°C to 60°C)

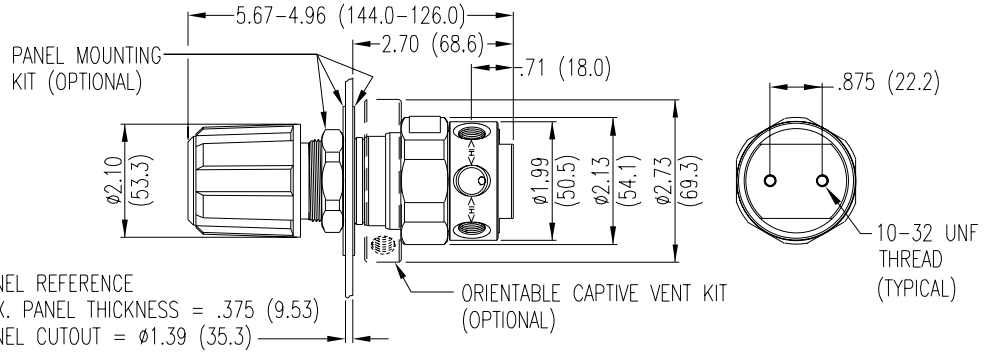
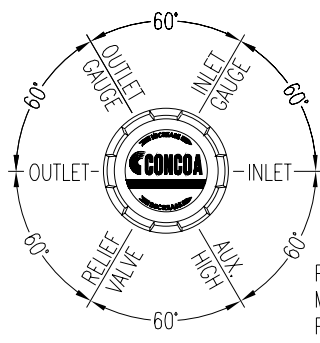
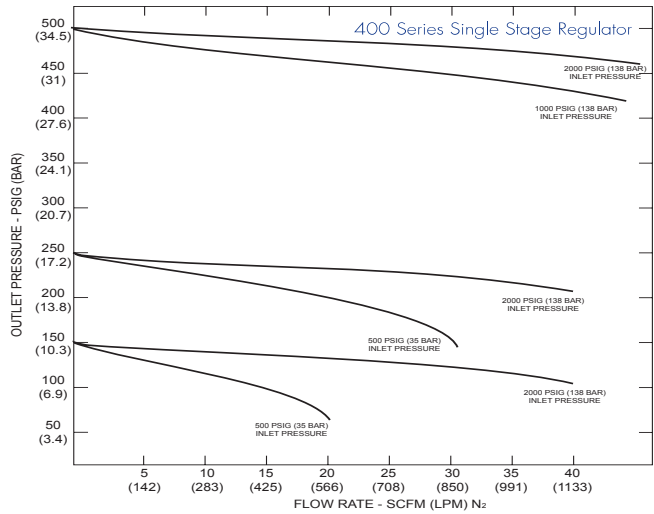
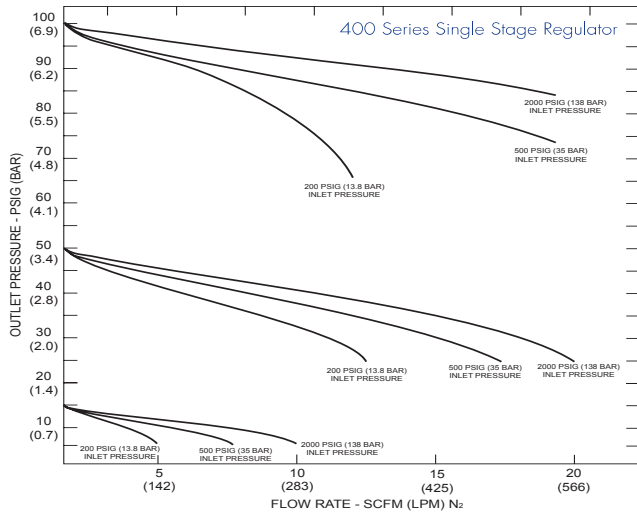
Gauges
2" diameter chrome plated

Ports
¼" FPT

Helium Leak Integrity
1 x 10⁻⁹ scc/sec

Cv
0.1

Weight (401-1331-580)
3.99 lbs. (1.81 kg)



Ordering Information *(For information about how to use this table please see page 4.)*

401	A	B	C	D	-Inlet	Options
Series 401	Outlet Pressure 1: 0-15* 30"-0-30 PSIG 2: 0-50 30"-0-100 PSIG 3: 0-100 30"-0-200 PSIG 4: 0-250 0-400 PSIG 5: 0-500** 0-1000 PSIG 7: 0-150 30"-0-200 PSIG <i>*Not available with 4500 PSIG maximum inlet pressure</i> <i>**Standard assembly does not include relief valve</i>	Inlet Gauge 0: None 3: 0-4000 PSIG 5: 0-1000 PSIG 6: 0-300 PSIG 7: 0-400 PSIG 8: 0-6000 PSIG* <i>*Maximum inlet pressure 4500 PSIG (310 BAR) with PCTFE Seat Capsule</i>	Outlet Assemblies 0: 1/4" FPT Port 1: 1/4" MPT 2: 1/4" Tube Fitting 3: Diaphragm Valve 1/4" Tube Fitting 4: Diaphragm Valve 1/4" MPT 5: Needle Valve 1/4" MPT 6: 1/8" Tube Fitting 7: 1/8" Tube Fitting 8: Diaphragm Valve 1/8" Tube Fitting 9: Diaphragm Valve 1/4" FPT A: 1/8" BSP Right Hand Fitting M: 6mm Tube Fitting S: Diaphragm Valve 6mm Tube Fitting	Assembly/ Gauges 0: Bare Body 1: Standard Assembly (PSIG/kPa Gauges) 2: Standard Assembly (BAR/PSIG Gauges) 4: Cleanroom Assembly (PSIG/kPa Gauges) 5: Cleanroom Assembly (BAR/PSIG Gauges)	Inlet Connections 000: 1/4" FPT TF2: 1/8" Tube TF4: 1/4" Tube TF6: 1/8" Tube M06: 6mm Tube	Installed Options A: Protocol Alarm Station (110V) B: Protocol Alarm Station (220V) C: Protocol Switchover Station D: Deep Purge* G: Protocol Switchover Station with Alarm (110V) H: Protocol Switchover Station with Alarm (220V) M: Protocol Station <i>*Not available with 4500 PSIG max inlet pressure</i>
Related Options	<ul style="list-style-type: none"> Panel Mount Kit (550-0002) Captured Vent Kit (550-0001) 					

411 Series

Dual Stage Brass Bodied Scientific Regulator



The 411 Series regulators are intended for primary pressure control of non-corrosive, high purity or liquefied gases for applications requiring constant pressure control and delivery regardless of supply pressure variations.

- Pressure ranges of 0-15 to 0-400 PSI are available to cater for a broad range of applications
- Brass barstock body means a smoother surface finish
- Front panel mountable that is easily installed
- Metal-to-metal diaphragm seal prevents gas contamination
- Capsule seat design for greater serviceability and life
- 316L stainless steel diaphragm
- Leak test certificate

Specifications:

Max. Inlet Pressure: 3000 PSI (210 BAR)
4500 PSI (310 BAR) Option

Gauges: 2" diameter brass, (chrome plated)

Temperature Range: -40° C to 60° C

Body Ports: 1/4" FPT

Helium Leak Integrity: 1 x 10⁻⁹ scc/sec

Cv: 0.1

Weight: 2.4 kg

Materials:

Body: Brass bar stock

Bonnet: Brass bar stock

Seat: PTFE
PCTFE with 4500 PSI inlet option

Filter: 10 micron sintered bronze

Diaphragm: 316L stainless steel

Internal Seals: PTFE

ORDERING INFORMATION

S411 - XXX - XXX - XXX - XX

Series	Outlet Pressure	Inlet Fitting	Outlet Fitting	Options
411	15 (0-15 psi)	T10 (AS2473 Type 10)	4F (1/4" NPT Female)	Inlet Purge
	50 (0-50 psi)	T20 (AS2473 Type 20)	2S (1/8" Tube)	Captured Bonnet Vent
	100 (0-100 psi)	T30 (AS2473 Type 30)	4S (1/4" Tube)	Panel Mount Kit
	150 (0-150 psi)	T50 (AS2473 Type 50)	8S (1/2" Tube)	
	250 (0-250 psi)	T60 (AS2473 Type 60)	2B (1/8" Hose Barb)	
	400 (0-400 psi)	350 (CGA350)	4B (1/4" Hose Barb)	
		540 (CGA540)	FA (Fine adjust valve)	
		580 (CGA580)	4M (1/4" NPT Male)	
		4F (1/4" NPT Female)	DK (1/4" Diaphragm valve)	
		Others by description	Others by description	

411 Series Regulator

*Dual Stage
Brass Barstock Body
Six-Port
Configuration
316L Stainless Steel
Diaphragm*



411-1331 shown

The 411 Series regulators are intended for primary pressure control of noncorrosive, high purity or liquefied gases for applications requiring constant pressure control and delivery regardless of supply pressure variations.

Typical Applications

- EPA Protocol gases
- Gas and liquid chromatography
- High purity carrier gases
- Zero, span and calibration gases
- High purity chamber pressurization

Advanced Features

- Brass barstock body
Smooth surface finish
- Front panel mountable
Easy installation
- 10 micron filtration in both stages
Fail-safe seat performance
- Pressure ranges 0-15 to 0-250 PSIG
Broad range of applications

400 Advantage

- *Metal-to-metal diaphragm seal*
No possibility of gas contamination
- *Capsule® seat*
Increased serviceability and life
- *316L stainless steel diaphragm*
No inboard diffusion
- *Orientable captured vent capable*
Safety in any installation
- *Low wetted surface area*
Minimal purge requirements
- *Field-adjustable pressure limit*
Safeguard downstream equipment
- *Pipe away relief valve*
Safely vent exhaust gases
- *Delivery pressure range easily changed*
Maximum flexibility

Materials

Body
Brass barstock

Bonnet
Chrome-Plated Brass barstock

Seat
PTFE
PCTFE with 4500 PSIG inlet option

Filter
10 micron sintered bronze

Diaphragm
316L stainless steel

Internal Seals
PTFE

Specifications

Maximum Inlet Pressure
3000 PSIG (210 BAR)
4500 PSIG (310 BAR) optional

Temperature Range
-40°F to 140°F (-40°C to 60°C)

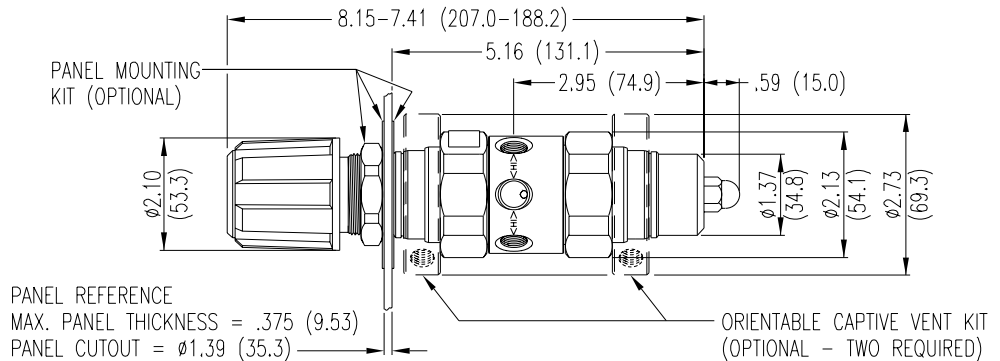
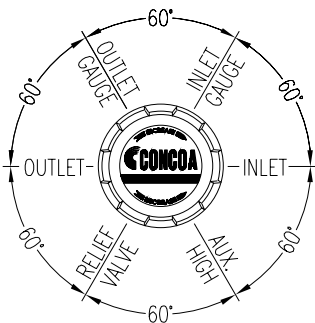
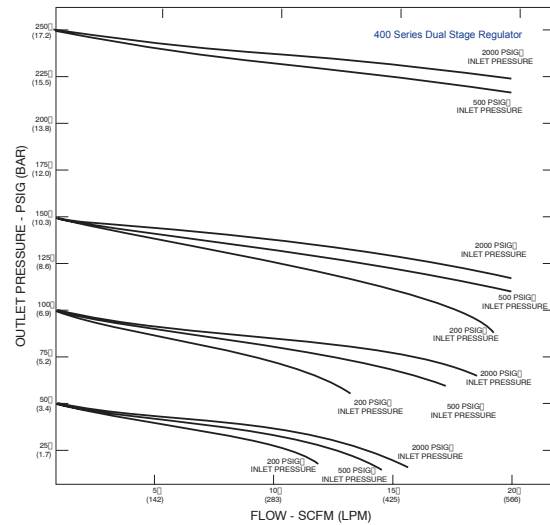
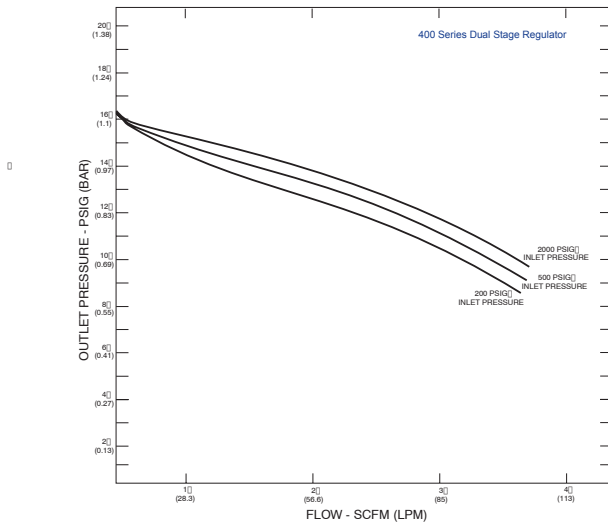
Gauges
2" diameter Chrome Plated

Ports
¼" FPT

Helium Leak Integrity
1 x 10⁻⁹ scc/sec

Cv
0.1

Weight (411-2331-580)
5.3 lbs. (2.40 kg)



Ordering Information *(For information about how to use this table please see page 4.)*

411	A	B	C	D	-Inlet	Options	
Series 411	Outlet Pressure 1: 0-15 2: 0-50 3: 0-100 4: 0-250 7: 0-150	Outlet Gauge 30"-0-30 PSIG 30"-0-100 PSIG 30"-0-200 PSIG 0-400 PSIG 30"-0-200 PSIG	Inlet Gauge 0: None 3: 0-4000 PSIG 5: 0-1000 PSIG 6: 0-300 PSIG 7: 0-400 PSIG 8: 0-6000 PSIG *Maximum inlet pressure 4500 PSIG (310 BAR) with PCTFE Seat Capsule®	Outlet Assemblies 0: ¼" FPT Port 1: ¼" MPT 2: ¼" Tube Fitting 3: Diaphragm Valve ¼" Tube Fitting 4: Diaphragm Valve ¼" MPT 5: Needle Valve ¼" MPT 6: 1/8" Tube Fitting 7: 3/8" Tube Fitting 8: Diaphragm Valve 1/8" Tube Fitting 9: Diaphragm Valve ¼" FPT A: 3/8" BSP Right Hand Fitting M: 6mm Tube Fitting S: Diaphragm Valve 6mm Tube Fitting	Assembly/ Gauges 0: Bare Body 1: Standard Assembly (PSIG/kPa Gauges) 2: Standard Assembly (BAR/PSIG Gauges) 4: Cleanroom Assembly (PSIG/kPa Gauges) 5: Cleanroom Assembly (BAR/PSIG Gauges)	Inlet Connections 000: ¼" FPT TF2: 1/8" Tube TF4: ¼" Tube TF6: 1/8" Tube M06: 6mm Tube CGA DIN 477 BS 341 and others available	Installed Options A: Protocol Alarm Station (110V) B: Protocol Alarm Station (220V) C: Protocol Switchover Station D: Deep Purge* G: Protocol Switchover Station with Alarm (110V) H: Protocol Switchover Station with Alarm (220V) M: Protocol Station *Not available with 4500 PSIG max inlet pressure

Related Op

- Panel Mount Kit (550-0002)
- Captured Vent Kit (550-0001)



Australian Distributors
 Importers & Manufacturers
 www.chromtech.net.au

11/12

492 Series Regulator

*Single Stage
Piston-Sensed
Ultra-High
Pressure
Chrome-Plated
Brass Barstock Body*



492-5952 shown

The 492 Series regulators are intended for primary pressure control of non-corrosive gases at a maximum inlet pressure of 6000 PSIG.

Typical Applications

- Airplane strut charging
- Research and development laboratories
- Chemical manufacturing
- Aerospace hydraulic systems
- Pharmaceutical manufacturing
- Gauge calibration

Advanced Features

- Chrome-plated brass barstock body
Smooth surface finish
- Front and rear panel mountable
Versatile system configuration
- Pressure ranges 0-750 to 0-6000 PSIG
Broad range of applications
- Six-port design
Flexible installation alternatives

Features

- *Large piston sensor*
Safely control pressures to 6000 PSIG
- *Capsule® seat*
Increased serviceability and life
- *Low wetted surface area*
Minimal purge requirements
- *Field-adjustable pressure limit*
Safeguard downstream equipment

Materials

Body
Chrome-plated brass barstock

Bonnet
Chrome-plated brass barstock

Seat
PCTFE (3000 and 4500 PSIG inlet)
Arlon® (PEEK) (6000 PSIG inlet)

Piston
Brass barstock

Filter
10 micron sintered brass

Internal Seals
Viton®

Specifications

Maximum Inlet Pressure
6000 PSIG (420 BAR)

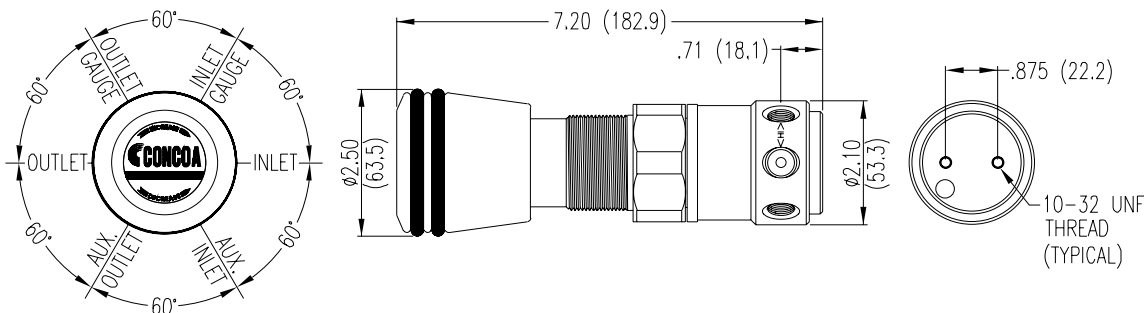
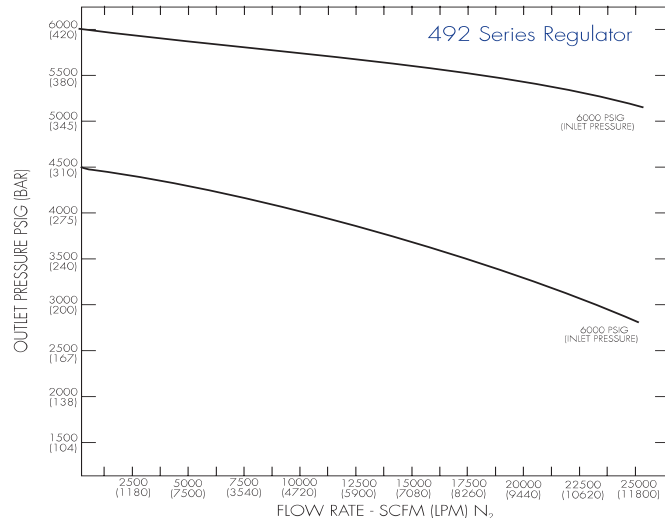
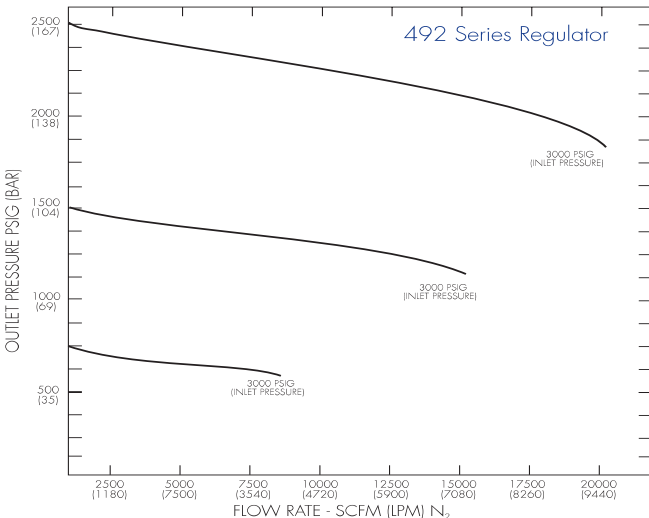
Temperature Range
-40°F to 140°F (-40°C to 60°C)

Gauges
2½" diameter chrome-plated brass

Ports
¼" FPT

Cv
0.1

Weight (492-4851-680)
5.59 lbs. (2.54 kg)



Ordering Information *(For information about how to use this table please see page 4.)*

492-	A		B		C	D	-Inlet	Options
Series 492	Outlet Pressure	Outlet Gauge	Inlet Maximum	Inlet Gauge	Outlet Assemblies	Assembly/ Gauges	Inlet Connections	Installed Options
	1: 0-750	0-1000 PSIG	0: 6000 PSIG	None	0: ¼" FPT	0: Bare Body*	CGA	A: Protocol Alarm Station (110V)
	2: 0-1500	0-4000 PSIG	3: 3000 PSIG	0-4000 PSIG	1: ¼" MPT	1: Standard Assembly (PSIG/kPa Gauges)	DIN 477	B: Protocol Alarm Station (220V)
	3: 0-2500	0-4000 PSIG	8: 5500 PSIG	0-6000 PSIG	2: ¼" Tube	2: Standard Assembly (BAR/PSIG Gauges)	BS 341 and others available	C: Protocol Switchover Station
	4: 0-4500*	0-6000 PSIG	9: 6000 PSIG	0-10,000 PSIG	5: Needle Valve ¼" MPT			G: Protocol Switchover Station with Alarm (110V)
	5: 0-6000†	0-10,000 PSIG			6: ⅛" Tube			H: Protocol Switchover Station with Alarm (220V)
	6: 0-3500*	0-6000 PSIG			7: ⅜" Tube			M: Protocol Station
	*Not available with 3000 PSIG maximum inlet pressure				M: 6mm Tube			
	†Only available with 6000 PSIG maximum inlet pressure							
Related Options			• Panel Mount Kit (830-6483)					